

CAT 1

25

# CLAMPERS



- BOLT / ONE BOLT / TWO BOLT
- WIDE BAND
- UNIVERSAL
- SPIRAL
- PREFORMED STAINLESS
- GENERAL PURPOSE
- INDUSTRIAL CLAMP KITS
- HI-TORQUE
- CONSTANT TORQUE
- LINER
- QUICK RELEASE
- PINCH ON
- LOCKING TOOLS
- "F" SERIES
- "K" SERIES
- "J" SERIES
- OPEN END
- POWER SEAL
- AERO-SEAL
- 2 EAR



# INDEX

○ ONE BOLT .....	2
○ TWO BOLT .....	3
○ DOUBLE BOLT .....	4
○ MIKALOR BOLT .....	5
○ PREFORMED STAINLESS .....	6
○ GENERAL PURPOSE .....	7
○ INDUSTRIAL CLAMP KITS .....	8
○ HI-TORQUE .....	9
○ QUICK RELEASE / PINCH .....	10
○ LOCKING TOOLS .....	11
○ F-SERIES .....	12
○ K-SERIES .....	13
○ OPEN END / J-SERIES .....	14
○ POWER SEAL .....	15
○ AERO-SEAL .....	16
○ HI-TORQUE .....	17
○ TWO EAR .....	18-19
○ TECHNICAL DATA .....	20-23



**TERMS:**

1/2% 10 Days, net 30 Days

**FREIGHT:**

All shipments are made FOB Seal Fast Inc. or Point of Manufacturer. (Applies to shipments from Houston Warehouse Only) Freight prepaid on \$1500 Net Couplings and accessories, \$2500 PVC Tubing, Braided Tubing, Fire & Mill hose. Freight prepaid on \$4000 Net Couplings, Rubber Hose, PVC Hose and Sheet Rubber with the exclusion of all PVC Suction including 6" and 8" PVC Suction ONLY orders. If combined with other items freight is prepaid at \$3000 Net, otherwise these items will Not be applied toward prepaid freight. **Effective immediately, regardless of invoice value, all uncoupled cut lengths of hoses are shipped FOB Seal Fast Inc.** Seal Fast Inc. reserves the right to determine the most Economical shipping method on all prepaid shipments. **In addition, Seal Fast Inc. reserves the right to refuse any prepaid shipments exceeding 6% freight cost of the order unless items are added or subtracted to keep said freight cost at or below 6%.**

Applies to Continental United States, excluding Alaska and Hawaii. **Any evidence of shortage must be reported to Seal Fast Inc. within 10 days. Any Damage to hose/hoses, etc. customer is responsible for filing a claim with the delivery carrier within 10 days. Seal Fast Inc. will not issue credit.**

ALL UPS prepay and add or collect shipments will endure a **\$7.50** shipping and handling fee including All backorders. All drop shipments will endure a \$5.00 fee.

**WARRANTY:**

Products are warranted against defects in workmanship and defects in material. Products having such defects will be replaced or credited as Seal Fast elects. Liability is limited to the invoice value of the defective item. Our responsibility shall not exceed the original purchase price of the defective product. In any event, Seal Fast, Inc. shall not be held responsible for any special or consequential damages.

**RETURNED GOODS:**

If for any reason you wish to return goods, please contact Seal Fast Inc. for prior authorization number. Goods must be returned within 30 days and must be in new and resaleable condition. Minimum handling charge is 15%.

**All discrepancies in shipment / invoice must be reported within 10 days of receipt of goods.**

**PROMPT PAYMENT:**

Orders receive preferred treatment when the account is paid promptly. Orders may be held up if any unpaid invoice exceeds 30 days.

**MINIMUM INVOICE:**

All invoices are subject to a minimum billing charge of 50.00 net. Returned checks are subject to a \$25.00 service charge.

**GENERAL:**

Orders will be accepted subject to delays caused by accident, strike, fire or other causes beyond the control of the seller including failure of seller's suppliers to deliver. Prices, discounts and other specifications are subject to change without notice. All prices are subject to any applicable taxes imposed. The possessions of this price schedule is not to be construed as an offer to sell at the prices shown. Special price for volume quotes will be accepted in writing only.

**PLEASE NOTE:**

Extra care is taken in the preparation of this literature but Seal Fast, Inc. is not responsible for any inadvertent typographical errors or omissions.

**SEAL FAST, INC.**

5603 Harvey Wilson Dr.  
Houston, TX 77020

(713) 675-6324 or 800-231-0734 | FAX (713) 675-0146 or 800-681-1515 | E-mail sales@sealfast.com

**DISCLAIMERS**

**Product Images**

- Seal Fast makes every reasonable effort to show accurate product representation, however pictures are for reference only, and do not necessarily reflect the exact product you will receive.
- Seal Fast reserves the right to alter product appearance without notice. Some product features shown in pictures may no longer be available.

**Product Specifications**

- Seal Fast is continuously working to provide the best quality for the best price.
- We reserve the right to alter product specifications without notice.

**Product Usage**

- Our Sales Team will do their best to assist in choosing the best product for a particular application. However, it is ultimately the customer's responsibility to determine the correct product for the correct application.
- Seal Fast will not be held liable for the abuse or misuse of our products in a manner in which they are not designed.
- Seal Fast cannot guarantee the integrity of an assembly if other manufacturers parts are used.

**Product Availability**

- Seal Fast reserves the right to discontinue products at any time without prior notice.

**Product Pricing**

- Seal Fast is constantly doing our best to maintain pricing levels. However, circumstances change and while many prices go down, others will increase.
- Please contact your sales associate for current pricing.

**Custom Made Products**

- All custom made product sales are final and Non-Refundable.

# CLAMPS

# BOLT

# CLAMPS

## ONE BOLT

## TWO BOLT



Opening Size	Band Width & Thickness	Torque Rating	MM Size	301 SS Band / 410 SS Bolt			Zinc Plated Carbon Steel		
				Part #	Per Pkg.	List ea.	Part #	Per Pkg.	List ea.
11/16" X 3/4"	0.70" X 0.024"	3.3 FT Pounds	17 - 19	301	50		901	50	
25/32" X 7/8"	0.70" X 0.024"	3.3 FT Pounds	20 - 22	302	50		902	50	
29/32" X 1"	0.70" X 0.024"	3.3 FT Pounds	23 - 25	304	50		904	50	
1 1/64" X 1 7/64"	0.70" X 0.024"	3.3 FT Pounds	26 - 28	305	50		905	50	
1 5/32" X 1 7/32"	0.79" X 0.039"	3.3 FT Pounds	29 - 31	307	50		907	50	
1 1/4" X 1 3/8"	0.79" X 0.039"	3.3 FT Pounds	32 - 35	308	50		908	50	
1 13/32" X 1 1/2"	0.79" X 0.039"	3.3 FT Pounds	36 - 39	309	50		909	50	
1 9/16" X 1 11/16"	0.79" X 0.039"	5 FT Pounds	40 - 43	310	50		911	50	
1 23/32" X 1 27/32"	0.79" X 0.039"	5 FT Pounds	44 - 47	311	50		912	50	
1 28/32" X 2"	0.79" X 0.039"	5 FT Pounds	48 - 51	312	25		913	50	
2 1/16" X 2 5/32"	0.79" X 0.039"	5 FT Pounds	52 - 55	313	25		914	50	
2 3/16" X 2 5/16"	0.79" X 0.039"	5 FT Pounds	56 - 59	---	---		915	50	
2 7/32" X 2 5/16"	0.79" X 0.039"	7 FT Pounds	56 - 59	314	25		---	---	
2 11/32" X 2 15/32"	0.79" X 0.039"	7 FT Pounds	60 - 63	315	25		916	50	
2 1/2" X 2 5/8"	0.79" X 0.039"	7 FT Pounds	64 - 67	316	25		917	25	
2 11/16" X 2 7/8"	0.79" X 0.039"	7 FT Pounds	68 - 73	317	25		918	25	
2 29/32" X 3 3/32"	0.98" X 0.047"	18 FT Pounds	74 - 79	318	25		919	25	
3 1/8" X 3 5/16"	0.98" X 0.047"	18 FT Pounds	80 - 85	319	25		920	25	
3 3/8" X 3 9/16"	0.98" X 0.047"	18 FT Pounds	86 - 91	320	25		---	---	
3 5/16" X 3 9/16"	0.98" X 0.047"	18 FT Pounds	86 - 91	---	---		921	25	
3 5/8" X 3 13/16"	0.98" X 0.047"	18 FT Pounds	92 - 97	321	25		922	25	
3 7/8" X 4 1/16"	0.98" X 0.047"	18 FT Pounds	98 - 103	322	25		923	25	
4 3/32" X 4 3/8"	0.98" X 0.047"	18 FT Pounds	104 - 112	323	25		924	25	
4 3/8" X 4 3/4"	0.98" X 0.047"	18 FT Pounds	113 - 121	324	25		925	25	
4 3/4" X 5 1/8"	0.98" X 0.047"	18 FT Pounds	122 - 130	325	25		926	25	
5 1/8" X 5 1/2"	0.98" X 0.047"	36 FT Pounds	131 - 139	326	25		927	25	
5 1/2" X 5 7/8"	0.98" X 0.062"	36 FT Pounds	140 - 148	327	25		928	25	
5 7/8" X 6 3/8"	0.98" X 0.062"	36 FT Pounds	149 - 161	328	25		929	25	
6 3/8" X 6 7/8"	0.98" X 0.062"	36 FT Pounds	162 - 174	329	25		930	10	
6 7/8" X 7 3/8"	0.98" X 0.062"	36 FT Pounds	175 - 187	330	25		931	10	
7 3/8" X 7 7/8"	0.98" X 0.062"	36 FT Pounds	188 - 200	331	25		932	10	
7 7/8" X 8 3/8"	0.98" X 0.062"	36 FT Pounds	201 - 213	332	25		933	10	
8 3/8" X 8 7/8"	0.98" X 0.062"	36 FT Pounds	214 - 226	333	25		934	10	
8 7/8" X 9 3/8"	1.09" X 0.062"	36 FT Pounds	227 - 239	334	25		935	10	
9 3/8" X 9 7/8"	1.09" X 0.062"	36 FT Pounds	240 - 252	335	25		936	10	

Opening Size	Band Width & Thickness	MM Size	Zinc Plated Carbon Steel		
			Part #	Per Pkg.	List ea.
1 5/8" x 2"	0.70" X 0.024"	41-51	SD50	50	
1 13/16" x 2 1/4"	0.70" X 0.024"	46-56	SD55	50	
2" x 2 7/16"	0.70" X 0.024"	51-61	SD60	50	
2 1/8" x 2 9/16"	0.70" X 0.024"	56-66	SD65	50	
2 7/16" x 2 13/16"	0.70" X 0.024"	61-71	SD70	50	
2 9/16" x 3"	0.70" X 0.024"	66-76	D75	50	
2 13/16" x 3 3/16"	0.70" X 0.024"	71-81	D80	50	
3 "x 3 5/16"	0.79" X 0.039"	76-86	D85	50	
3 3/16" x 3 9/16"	0.79" X 0.039"	81-91	D90	50	
3 5/16" x 3 11/16"	0.79" X 0.039"	86-96	D95	50	
3 9/16" x 3 15/16"	0.79" X 0.039"	91-101	D100	50	
3 11/16" x 4 1/4"	0.79" X 0.039"	96-106	D105	50	
3 15/16" x 4 3/8"	0.79" X 0.039"	101-111	D110	50	
4 1/4" x 4 9/16"	0.79" X 0.031"	106-116	D115	25	
4 3/8" x 4 3/4"	0.79" X 0.031"	111-121	D120	25	
4 9/16" x 4 15/16"	0.79" X 0.031"	116-126	D125	25	
4 3/4" x 5 3/16"	0.79" X 0.031"	121-131	D130	25	
5 3/16" x 5 1/2"	0.79" X 0.031"	131-141	D140	25	
5 1/2" x 5 13/16"	0.98" X 0.047"	141-151	D150	25	
5 13/16" x 6 3/8"	0.98" X 0.047"	151-161	D160	25	
6 3/8" x 6 11/16"	0.98" X 0.047"	161-171	D170	25	
6 11/16" x 7 1/8"	0.98" X 0.047"	171-181	D180	25	
7 1/8" x 7 9/16"	0.98" X 0.047"	181-191	D190	25	
7 9/16" x 7 7/8"	0.98" X 0.047"	191-201	D200	25	
7 7/8" x 7 5/16"	0.98" X 0.047"	201-211	D210	25	
7 15/16" x 8 7/8"	0.98" X 0.047"	211-221	D220	25	
8 7/8" x 9 1/8"	1.09" X 0.062"	221-231	D230	10	



# CLAMPS



# CLAMPS

## DOUBLE BOLT / USA SIZED

▶ Please check Hose O.D. before ordering

Hose Range	MM Size	Zinc Plated Iron	
		Part #	List
.787" to .866"	20 - 22mm	DB0022SF	
.866" to 1.14"	22 - 29mm	DB0029SF	
1.14" to 1.34"	29 - 34mm	DB0034SF	
1.34" to 1.57"	34 - 40mm	DB0040SF	
1.57" to 1.93"	40 - 49mm	DB0049SF	
1.93" to 2.36"	49 - 60mm	DB0060SF	
2.36" to 2.99"	60 - 76mm	DB0076SF	
2.99" to 3.70"	76 - 94mm	DB0094SF	
3.70" to 4.53"	94 - 115mm	DB0115SF	
3.54" to 3.94"	90 - 100mm	DB0400SF	
3.94" to 4.92"	100 - 125mm	DB0525SF	
4.92" to 5.90"	125 - 150mm	DB0550SF	
5.11" to 5.67"	130 - 144mm	DB0600SF	
5.90" to 6.89"	150 - 175mm	DB0675SF	
6.89" to 7.87"	175 - 200mm	DB0769SF	
7.87" to 8.86"	200 - 225mm	DB0818SF	
8.86" to 9.84"	225 - 250mm	DB0988SF	
9.84" to 11.81"	250 - 300mm	DB1125SF	
11.81" to 13.78"	300 - 350mm	DB1275SF	



## BOLT

▶ Recommend working at 75% of the maximum values



All Stainless Steel - AISI-304

Bolt: Zinc Plated  
Band & Arch: Stainless AISI-430  
Other Components: Zinc Plated steel

Opening Size	Band Width & Thickness	MM Size	Torque* Max ft lbs	Stainless Steel - AISI-304		
				Part #	Per Pkg.	List ea.
11/16" X 3/4"	0.70" X 0.024"	17-19	3.3	---	---	
3/4" X 53/64"	0.70" X 0.024"	19-21	3.3	---	---	
53/64" X 29/32"	0.70" X 0.024"	21-23	3.3	---	---	
29/32" X 1"	0.70" X 0.024"	23-25	3.3	---	---	
1" X 1-1/16"	0.70" X 0.024"	25-27	3.3	---	---	
1-1/16" x 1-5/32"	0.70" X 0.024"	27-29	3.3	---	---	
1-5/32" x 1-7/32"	0.70" X 0.024"	29-31	3.3	301307-1	50	
1-7/32" X 1-11/32"	0.79" X 0.039"	31-34	5.9	301308-3	50	
1-11/32" X 1-29/64"	0.79" X 0.039"	34-37	5.9	301309-1	50	
1-29/64" X 1-9/16"	0.79" X 0.039"	37-40	5.9	301310-4	50	
1-9/16" X 1-11/16"	0.79" X 0.039"	40-43	5.9	301311-2	50	
1-11/16" X 1-27/32"	0.79" X 0.039"	43-47	5.9	301312-0	50	
1-27/32" X 2-1/64"	0.79" X 0.039"	47-51	7.4	301313-9	50	
2-1/64" X 2-11/64"	0.79" X 0.031"	51-55	7.4	301314-7	25	
2-11/64" X 2-21/64"	0.79" X 0.031"	55-59	7.4	301315-5	25	
2-21/64" X 2-31/64"	0.79" X 0.031"	59-63	7.4	301316-3	25	
2-31/64" X 2-11/16"	0.79" X 0.031"	63-68	7.4	301317-1	25	
2-11/16" X 3-7/8"	0.79" X 0.031"	68-73	7.4	301318-0	25	
3-7/8" X 3-7/64"	0.98" X 0.047"	73-79	18.4	301319-8	25	
3-7/64" X 3-11/32"	0.98" X 0.047"	79-85	18.4	301320-0	25	
3-11/32" X 3-37/64"	0.98" X 0.047"	85-91	18.4	301321-9	25	
3-37/64" X 3-13/16"	0.98" X 0.047"	91-97	18.4	301322-7	25	
3-13/16" X 4-3/32"	0.98" X 0.047"	97-104	18.4	301323-5	25	
4-3/32" X 4-3/8"	0.98" X 0.047"	104-112	18.4	301324-3	25	
4-3/8" X 4-49/64"	0.98" X 0.047"	112-121	18.4	301325-1	25	
4-49/64" X 5-1/8"	0.98" X 0.047"	121-130	18.4	301326-0	25	
5-1/8" X 5-33/64"	1.09" X 0.062"	130-140	36.8	---	---	
5-33/64" X 5-29/32"	1.09" X 0.062"	140-150	36.8	---	---	
5-29/32" X 6-3/8"	1.09" X 0.062"	150-162	36.8	---	---	
6-3/8" X 6-7/8"	1.09" X 0.062"	162-174	36.8	---	---	
6-7/8" X 7-24/64"	1.09" X 0.062"	174-187	36.8	---	---	
7-24/64" X 7-7/8"	1.09" X 0.062"	187-200	36.8	---	---	
7-7/8" X 8-25/64"	1.09" X 0.062"	200-213	36.8	---	---	
8-25/64" X 8-57/64"	1.09" X 0.062"	213-226	36.8	---	---	
8-57/64" X 9-13/32"	1.09" X 0.062"	226-239	36.8	---	---	
9-13/32" X 9-59/64"	1.09" X 0.062"	239-252	36.8	---	---	

Zinc Plated Carbon Steel		
Part #	Per Pkg.	List ea.
301901-2	50	
301902-0	50	
301903-9	50	
301904-7	50	
301905-5	50	
301906-3	50	
301907-1	50	
301908-0	50	
301909-8	50	
301910-0	50	
301911-9	50	
301912-7	50	
301913-5	50	
301914-3	25	
301915-1	25	
301916-0	25	
301917-8	25	
301918-6	25	
301919-4	25	
301920-7	25	
301921-5	25	
301922-3	25	
301923-1	25	
301924-0	25	
301925-8	25	
301926-6	25	
301927-4	10	
301928-2	10	
301929-0	10	
301930-3	10	
301931-1	10	
301932-0	10	
301933-8	10	
301934-6	10	
301935-4	10	
301936-2	10	

## UNIVERSAL



3/8" to 3/4" ID      1" to 2" ID      4" ID

Hose ID	Zinc Plated Iron			
	From	To	Part #	List
3/8"	11/16"	7/8"	SF1	
1/2"	15/16"	1-1/16"	SF4	
1/2"	1-1/16"	1-3/16"	SF5	
3/4"	1-1/8"	1-5/16"	SF9A	
3/4"	1-3/16"	1-5/16"	SF9U	
3/4"	1-5/16"	1-1/2"	SF9B	
3/4"	1-1/2"	1-11/16"	SF10	
1"	1-17/32"	1-23/32"	SF14U	
1"	1-11/16"	1-15/16"	SF14	
1-1/4"	1-25/32"	2-3/32"	SF19U	
1-1/2"	2-3/16"	2-3/8"	SF24U	
1-1/2"	2-1/4"	2-9/16"	SF24	
2"	2-1/2"	2-25/32"	SF29U	
2"	2-3/4"	3-1/16"	SF29	
3"	4-1/16"	4-7/16"	SF39	
4"	4-7/8"	5-5/16"	SF49U	

## SPRIAL

▶ Recommended for PVC Suction or Discharge



Right Hand      Left Hand

Hose O.D. New	Zinc Plated Steel		
	Right Hand Part #	Left Hand Part #	List
1-1/2"	150 SCR	150 SCL	
2"	200 SCR	200 SCL	
2-1/2"	250 SCR	250 SCL	
3"	300 SCR	300 SCL	
4"	400 SCR	400 SCL	
5"	500 SCR	500 SCL	
6"	600 SCR	600 SCL	
8"	800 SCR	800 SCL	
10"	1000 SCR	1000 SCL	
12"	1200 SCR	1200 SCL	

# CLAMPS



# CLAMPS

## PREFORMED STAINLESS



Type 302 Galvanized    Type 302 SS    Type 302 SS    Type 302 SS -    **J Series w/Smooth I.D.**

Opening Size	3/8" & 5/8" wide - SS					3/4" wide - SS				Opening Size	5/8" & 3/4" wide - SS			
	Width & Thickness	Galvanized Part #	SS Part #	Per Pkg.	List ea.	Width & Thickness	Part #	Per Pkg.	List ea.		Width & Thickness	Part #	Per Pkg.	List ea.
13/16"	3/8" x 0.020"	---	SF03KS	100	---	---	---	---	---	1"	5/8" x 0.030"	SF203JS	100	---
1-3/8"	3/8" x 0.020"	---	SF311KS	100	---	---	---	---	---	1-1/4"	5/8" x 0.030"	SF204JS	100	---
1"	5/8" x 0.022"	---	SF04KS	100	---	---	---	---	---	1-1/2"	5/8" x 0.030"	SF205JS	100	---
1-1/4"	5/8" x 0.022"	---	SF05KS	100	---	---	---	---	---	1-3/4"	5/8" x 0.030"	SF206JS	100	---
1-1/2"	5/8" x 0.022"	---	SF06KS	100	---	---	---	---	---	2"	5/8" x 0.030"	SF207JS	100	---
1-3/4"	5/8" x 0.022"	SF07FS	SF07KS	100	---	---	---	---	---	2-1/4"	5/8" x 0.030"	SF208JS	100	---
2"	5/8" x 0.022"	---	SF08KS	100	---	3/4" X 0.030"	SF0875KS	100	---	2-1/2"	5/8" x 0.030"	SF209JS	100	---
2-1/4"	5/8" x 0.022"	---	SF09KS	100	---	3/4" X 0.030"	SF0975KS	100	---	2"	3/4" x 0.030"	SF227JS	100	---
2-1/2"	5/8" x 0.022"	---	SF10KS	50	---	3/4" X 0.030"	SF1075KS	60	---	2-3/4"	3/4" x 0.030"	SF210JS	50	---
2-3/4"	5/8" x 0.022"	---	SF11KS	50	---	3/4" X 0.030"	SF1175KS	50	---	3"	3/4" x 0.030"	SF211JS	50	---
3"	5/8" x 0.022"	SF12FS	SF12KS	50	---	3/4" X 0.030"	SF1275KS	25	---	3-1/2"	3/4" x 0.030"	SF212JS	50	---
3-1/2"	5/8" x 0.022"	SF14FS	SF14KS	50	---	3/4" X 0.030"	SF1475KS	25	---	4"	3/4" x 0.030"	SF213JS	25	---
4"	5/8" x 0.022"	---	SF16KS	25	---	3/4" X 0.030"	SF1675KS	25	---	4-1/2"	3/4" x 0.030"	SF214JS	25	---
4-1/2"	5/8" x 0.022"	---	SF18KS	25	---	3/4" X 0.030"	SF1875KS	25	---	5"	3/4" x 0.030"	SF215JS	25	---
5"	5/8" x 0.022"	SF20FS	SF20KS	25	---	3/4" X 0.030"	SF2075KS	25	---	6"	3/4" x 0.030"	SF216JS	25	---
6"	5/8" x 0.022"	SF24FS	SF24KS	25	---	3/4" X 0.030"	SF2475KS	15	---	6-1/2"	3/4" x 0.030"	SF217JS	25	---
6-1/2"	5/8" x 0.022"	SF26FS	SF26KS	25	---	---	---	---	---	7"	3/4" x 0.030"	SF218JS	25	---
7"	5/8" x 0.022"	---	SF28KS	25	---	3/4" X 0.030"	SF2875KS	15	---	8"	3/4" x 0.030"	SF219JS	25	---
8"	5/8" x 0.022"	---	SF32KS	25	---	3/4" X 0.030"	SF3275KS	20	---	---	---	---	---	---

## GENERAL PURPOSE

Maximum recommended torque is 50 inch pounds

Miniature: Maximum recommended torque is 15 inch pounds



Carbon Steel - (PER PKG 10)					All Stainless Steel - (PER PKG 10)									
Inch Size	Metric MM Size	Screw Type	Part #	List	Inch Size	Metric MM Size	Screw Type	Part #	List	Inch Size	Metric MM Size	Screw Type	Part #	List
Miniatures 3-Piece Construction 5/16" Band					Miniatures 3-Piece Construction 5/16" Band					100% SS 3-Piece Construction 9/16" Band				
7/32" X 5/8"	5.5 x 16	⬤	WDMC04		7/32" X 5/8"	5.5 x 16	⊖	WDSM04		9/16" X 1-1/16"	14 x 27	⊖	WDS2010	
7/16" X 25/32"	11 X 20	⬤	WDMC06		7/16" X 25/32"	11 X 20	⊖	WDSM06		11/16" X 1-1/4"	18 X 32	⊖	WDS2012	
1/2" X 29/32"	13 X 23	⬤	WDMC08		1/2" X 29/32"	13 X 23	⊖	WDSM08		13/16" X 1-1/2"	21 X 38	⊖	WDS2016	
9/16" X 1-1/16"	14 X 27	⬤	WDMC10		9/16" X 1-1/16"	14 X 27	⊖	WDSM10		13/16" X 1-3/4"	21 X 44	⊖	WDS2020	
Full Size 3-Piece Construction 1/2" Band					Full Size 3-Piece Construction 1/2" Band					Full Size 3-Piece Construction 1/2" Band				
7/16" X 25/32"	11 X 20	⬤	WDC006		7/16" X 25/32"	11 X 20	⊖	WDS006		1-1/16" X 2"	27 X 51	⊖	WDS2024	
1/2" X 29/32"	13 X 23	⬤	WDC008		1/2" X 29/32"	13 X 23	⊖	WDS008		1-5/16" X 2-1/4"	33 X 57	⊖	WDS2028	
9/16" X 1-1/16"	14 X 27	⬤	WDC010		9/16" X 1-1/16"	14 X 27	⊖	WDS010		1-9/16" X 2-1/2"	40 X 63	⊖	WDS2032	
11/16" X 1-1/4"	18 X 32	⬤	WDC012		11/16" X 1-1/4"	18 X 32	⊖	WDS012		1-13/16" X 2-3/4"	46 X 70	⊖	WDS2036	
13/16" X 1-1/2"	21 X 38	⬤	WDC016		13/16" X 1-1/2"	21 X 38	⊖	WDS016		2-1/16" X 3"	52 X 76	⊖	WDS2040	
13/16" X 1-3/4"	21 X 44	⬤	WDC020		13/16" X 1-3/4"	21 X 44	⊖	WDS020		2-5/16" X 3-1/4"	59 X 82	⊖	WDS2044	
1-1/16" X 2"	27 X 51	⬤	WDC024		1-1/16" X 2"	27 X 51	⊖	WDS024		2-9/16" X 3-1/2"	65 X 89	⊖	WDS2048	
1-5/16" X 2-1/4"	33 X 57	⬤	WDC028		1-5/16" X 2-1/4"	33 X 57	⊖	WDS028		2-13/16" X 3-3/4"	72 X 95	⊖	WDS2052	
1-9/16" X 2-1/2"	40 X 63	⬤	WDC032		1-9/16" X 2-1/2"	40 X 63	⊖	WDS032		3-1/16" X 4"	78 X 101	⊖	WDS2056	
1-13/16" X 2-3/4"	46 X 70	⬤	WDC036		1-13/16" X 2-3/4"	46 X 70	⊖	WDS036		3-5/16" X 4-1/4"	84 X 108	⊖	WDS2060	
2-1/16" X 3"	52 X 76	⬤	WDC040		2-1/16" X 3"	52 X 76	⊖	WDS040		3-9/16" X 4-1/2"	91 X 114	⊖	WDS2064	
1/2" Band					1/2" Band					1/2" Band				
2-5/16" X 3-1/4"	59 X 82	⬤	WDC044		2-5/16" X 3-1/4"	59 X 82	⊖	WDS044		4-5/8" X 5-1/2"	155 X 177	⊖	WDS104	
2-9/16" X 3-1/2"	65 X 89	⬤	WDC048		2-9/16" X 3-1/2"	65 X 89	⊖	WDS048		---	---	---	---	---
2-13/16" X 3-1/2"	72 X 95	⬤	WDC052		2-13/16" X 3-1/2"	72 X 95	⊖	WDS052		---	---	---	---	---
3-1/16" X 4"	78 X 101	⬤	WDC056		3-1/16" X 4"	78 X 101	⊖	WDS056		---	---	---	---	---
3-5/16" X 4-1/4"	84 X 108	⬤	WDC060		3-5/16" X 4-1/4"	84 X 108	⊖	WDS060		---	---	---	---	---
3-9/16" X 4-1/2"	91 X 114	⬤	WDC064		3-9/16" X 4-1/2"	91 X 114	⊖	WDS064		---	---	---	---	---
4-1/8" X 5"	105 X 127	⬤	WDC072		4-1/8" X 5"	105 X 127	⊖	WDS072		---	---	---	---	---
4-5/8" X 5-1/2"	117 X 139	⬤	WDC080		4-5/8" X 5-1/2"	117 X 139	⊖	WDS080		---	---	---	---	---
5-1/8" X 6"	130 X 152	⬤	WDC088		5-1/8" X 6"	130 X 152	⊖	WDS088		---	---	---	---	---
5-5/8" X 6-1/2"	143 X 165	⬤	WDC096		5-5/8" X 6-1/2"	143 X 165	⊖	WDS096		---	---	---	---	---
6-1/8" X 7"	155 X 177	⬤	WDC104		6-1/8" X 7"	155 X 177	⊖	WDS104		---	---	---	---	---

Band, Housing, and Screw Carbon Steel Zinc plated

Band, Housing and Screw 304 SS

Band, Housing and Screw 304 SS

## 201 SS STRAP & BUCKLES



Strapping				Buckles		
Width & Thickness	Part #	Ft Per Box	List	Part #	Per Pkg.	List
3/8" x .030"	SF3800SS	100		SF3800BS	100	
1/2" x .030"	SF5000SS	100		SF5000BS	100	
5/8" x .030"	SF5800SS	100		SF5800BS	100	
3/4" x .030"	SF7500SS	100		SF7500BS	50	

## CENTER PUNCH TOOL - 5/8"

Part #	QTY	Name
BPT 1	1	Steel Handle
BPT 2	2	Locating Pin
BPT 3	1	Punch Handle
BPT 4	1	Ball Retaining Plug
BPT 5	1	Hole Punch
BPT 6	1	Head Spring Catch
BPT 7	1	Holding Dog
BPT 8	1	Adapter Plug-In
BPT 9	1	Spring
BPT 10	1	Buckle Thruster
BPT 11	1	Nose
BPT 12	2	Pulling Pin
BPT 13	1	Pivoting Pin
BPT 14	1	Spring Catch
BPT 15	6	Locating Ring
BPT 16	1	Pressure Spring
BPT 17	1	Slider & Tension Hand Shank
BPT 18	1	Slip Fitting
BPT 19	1	Pulling Claw
BPT 20	1	Link Holder
BPT 21	1	Head Bracket



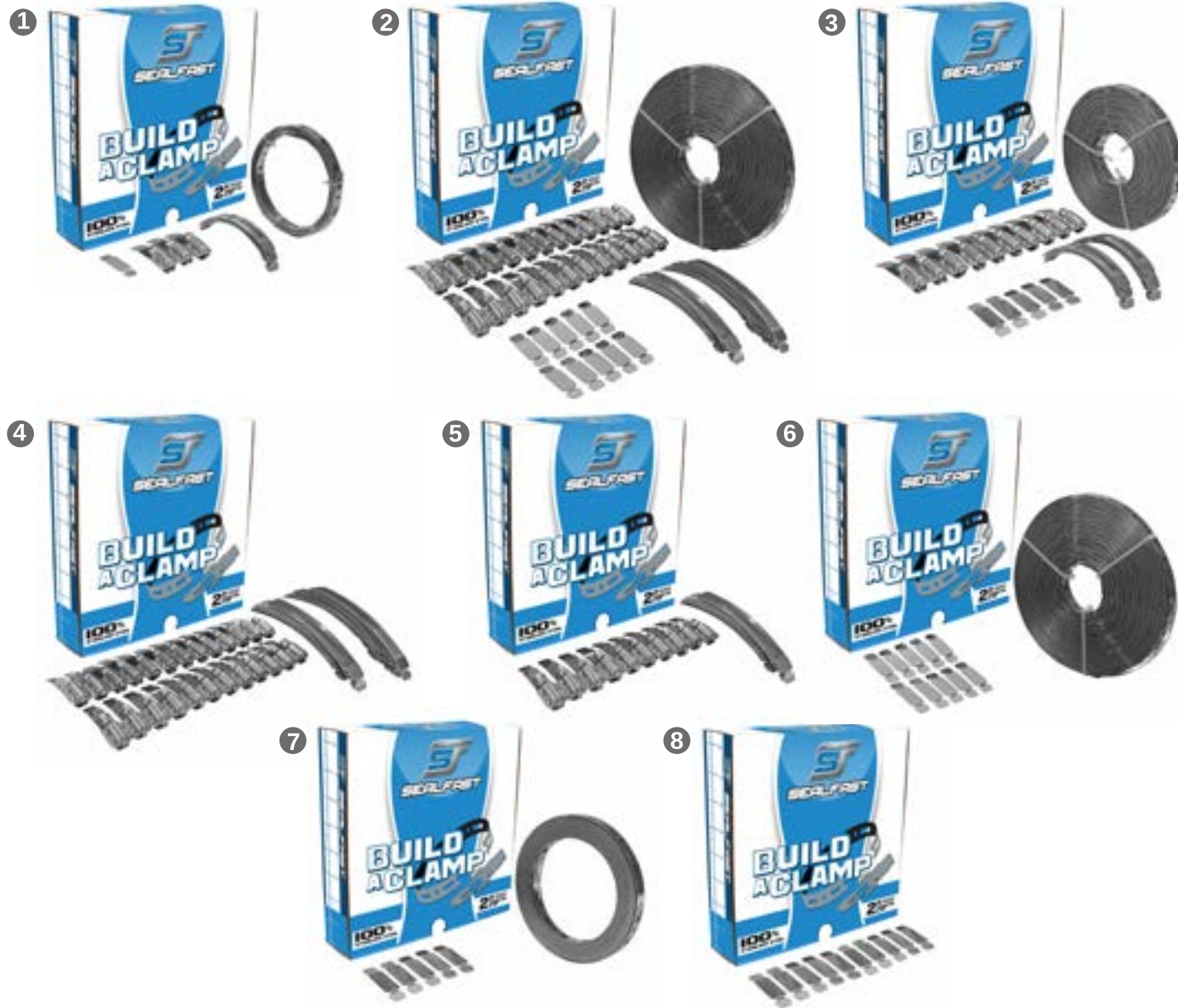
# CLAMPS



# CLAMPS

## GENERAL PURPOSE INDUSTRIAL CLAMP KITS

# BUILD A CLAMP



Size/Details	Part #	List
1 Mini kit: 8-1/2 ft. band, 3adj. fasteners, 1 band splicer.	2000	
2 Kit with 100 ft. band, 25 adj. fasteners, 10 band splicers.	2001	
3 Kit with 50 ft. band, 10 adj. fasteners, 5 band splicers.	2002	
4 Box of 25 adj. fasteners.	2003	
5 Box of 10 adj. fasteners.	2004	
6 Box with 100 ft. band and 10 band splicers.	2005	
7 Box with 50 ft. band and 5 band splicers.	2006	
8 Box of 10 band splicers.	2008	

## HI-TORQUE CLAMPS W/LINER

Torque Rating: 90 inch pounds

Stainless Steel - (PER PKG 10)				
Inch Size	Metric MM Size	Screw Type	Part #	List/
SS 301 Band, SS 410 Screw				
1" X 1-3/4"	26 X 45	⊕	SF175HTML	
1-1/4" X 2-1/8"	32 X 54	⊕	SF200HTML	
1-3/4" X 2-5/8"	45 X 67	⊕	SF250HTML	
2-1/4" X 3-1/8"	57 X 80	⊕	SF300HTML	
2-3/4" X 3-5/8"	70 X 92	⊕	SF350HTML	
3-1/4" X 4-1/8"	83 X 105	⊕	SF400HTML	
3-3/4" X 4-5/8"	96 X 118	⊕	SF450HTML	
4-1/4" X 5-1/8"	108 X 131	⊕	SF500HTML	
4-3/4" X 5-5/8"	121 X 143	⊕	SF550HTML	
5-1/4" X 6-1/8"	134 X 156	⊕	SF600HTML	
5-3/4" X 6-5/8"	146 X 169	⊕	SF650HTML	
6-1/4" X 7-1/8"	159 X 181	⊕	SF700HTML	
6-3/4" X 7-5/8"	172 X 194	⊕	SF750HTML	
7-1/4" X 8-1/8"	184 X 207	⊕	SF800HTML	
7-3/4" X 8-5/8"	197 X 219	⊕	SF850HTML	
8-1/4" X 9-1/8"	210 X 232	⊕	SF900HTML	

## CONSTANT TORQUE CLAMPS W/LINER

Torque Rating: 90 inch pounds

Stainless Steel - (PER PKG 10)				
Inch Size	Metric MMSize	Screw Type	Part #	List/
SS 301 Band, SS 410 Screw w/Liner				
9/16" X 1-1/16"	15 X 27	⊕	SF9410CT	
11/16" X 1-1/4"	18 X 32	⊕	SF9412CT	
13/16" X 1-1/2"	21 X 38	⊕	SF9416CT	
13/16" X 1-3/4"	21 X 45	⊕	SF9420CT	
1-1/16" X 2"	27 X 51	⊕	SF9424CT	
Heavy Duty - SS 301 Band, SS 410 Screw w/Liner				
1" X 1-3/4"	26 X 45	⊕	SF175CTL	
1-1/4" X 2-1/8"	32 X 54	⊕	SF200CTL	
1-3/4" X 2-5/8"	45 X 67	⊕	SF250CTL	
2-1/4" X 3-1/8"	57 X 80	⊕	SF300CTL	
2-3/4" X 3-5/8"	70 X 92	⊕	SF350CTL	
3-1/4" X 4-1/8"	83 X 105	⊕	SF400CTL	
3-3/4" X 4-5/8"	96 X 118	⊕	SF450CTL	
4-1/4" X 5-1/8"	108 X 131	⊕	SF500CTL	
4-3/4" X 5-5/8"	121 X 143	⊕	SF550CTL	
5-1/4" X 6-1/8"	134 X 156	⊕	SF600CTL	
5-3/4" X 6-5/8"	146 X 169	⊕	SF650CTL	
6-1/4" X 7-1/8"	159 X 181	⊕	SF700CTL	
6-3/4" X 7-5/8"	172 X 194	⊕	SF750CTL	
7-1/4" X 8-1/8"	184 X 207	⊕	SF800CTL	
7-3/4" X 8-5/8"	197 X 219	⊕	SF850CTL	
8-1/4" X 9-1/8"	210 X 232	⊕	SF900CTL	

## HI-TORQUE H.D. CLAMPS

Torque Rating: 90 inch pounds

Stainless Steel - (PER PKG 10)				
Inch Size	Metric MM Size	Screw Type	Part #	List/
SS 301 Band, SS 410 Screw				
---	---	---	---	---
1-1/4" X 2-1/8"	32 X 54	⊕	SF200HTM	
1-3/4" X 2-5/8"	45 X 67	⊕	SF250HTM	
2-1/4" X 3-1/8"	57 X 80	⊕	SF300HTM	
2-3/4" X 3-5/8"	70 X 92	⊕	SF350HTM	
3-1/4" X 4-1/8"	83 X 105	⊕	SF400HTM	
3-3/4" X 4-5/8"	96 X 118	⊕	SF450HTM	
4-1/4" X 5-1/8"	108 X 131	⊕	SF500HTM	
4-3/4" X 5-5/8"	121 X 143	⊕	SF550HTM	
5-1/4" X 6-1/8"	134 X 156	⊕	SF600HTM	
5-3/4" X 6-5/8"	146 X 169	⊕	SF650HTM	
6-1/4" X 7-1/8"	159 X 181	⊕	SF700HTM	
6-3/4" X 7-5/8"	172 X 194	⊕	SF750HTM	
7-1/4" X 8-1/8"	184 X 207	⊕	SF800HTM	
7-3/4" X 8-5/8"	197 X 219	⊕	SF850HTM	
8-1/4" X 9-1/8"	210 X 232	⊕	SF900HTM	

## LINER CLAMPS FOR SOFT SILICONE

Torque Rating: 90 inch pounds

Stainless Steel - (PER PKG 10)				
Inch Size	Metric MM Size	Screw Type	Part #	List
For Soft Silicone - SS 301 Band, SS 410 Screw				
7/16" X 25/32"	12 X 20	⊕	SF9406	
1/2" X 29/32"	13 X 23	⊕	SF9408	
9/16" X 1-1/16"	15 X 27	⊕	SF9410	
11/16" X 1-1/4"	18 X 32	⊕	SF9412	
13/16" X 1-1/2"	21 X 39	⊕	SF9416	
13/16" X 1-3/4"	21 X 45	⊕	SF9420	
1-1/16" X 2"	27 X 51	⊕	SF9424	
1-5/16" X 2-1/4"	33 X 58	⊕	SF9428	
1-9/16" X 2-1/2"	40 X 64	⊕	SF9432	
1-13/16" X 2-3/4"	46 X 70	⊕	SF9436	
2-1/16" X 3"	53 X 77	⊕	SF9440	
2-5/16" X 3-1/4"	59 X 83	⊕	SF9444	
2-9/16" X 3-1/2"	65 X 89	⊕	SF9448	
2-13/16" X 3-3/4"	72 X 96	⊕	SF9452	
3-1/16" X 4"	78 X 102	⊕	SF9456	
3-5/16" X 4-1/4"	84 X 108	⊕	SF9460	
3-9/16" X 4-1/2"	91 X 115	⊕	SF9464	
4-1/8" X 5"	105 X 127	⊕	SF9472	
4-5/8" X 5-1/2"	118 X 140	⊕	SF9480	
5-1/8" X 6"	130 X 153	⊕	SF9488	
5-5/8" X 6-1/2"	143 X 165	⊕	SF9496	
6-1/8" X 7"	156 X 178	⊕	SF94104	



# CLAMPS



# CLAMPS

## QUICK RELEASE



Inch Size	MM Size	Length	Carbon Steel - (PER PKG 10)		301 SS - (PER PKG 10)	
			Part #	List	Part #	List
1-32/64" X 3-32/64"	38 X 89	12.953"	QR048S		QR048SS	
1" X 4"	25 X 102	14.449"	QR056S		QR056SS	
2" X 5"	51 X 127	17.677"	QR072S		QR072SS	
2-4/64" X 6"	52 X 152	21.142"	QR088S		QR088SS	
3-32/64" X 6-36/64"	89 X 167	22.992"	QR096S		QR096SS	
2-56/64" X 7"	44 X 178	24.370"	QR104S		QR104SS	
1-48/64" X 8-36/64"	44 X 218	29.173"	QR128S		QR128SS	
2" X 10"	51 X 254	33.780"	QR152S		QR152SS	
2-4/64" X 12-20/64"	52 X 313	41.063"	QR188S		QR188SS	
10-12/64 X 14"	259 X 356	46.378"	QR216S		QR216SS	
10-48/64 X 16"	273 X 406	52.559"	QR248S		QR248SS	

## PINCH ON CLAMP



Nominal Size	Inches Closed-Open	Metric MM Closed-Open	Zinc Plated - (PER PKG 100)	
			Part #	List
1/4"	.197" to .276"	05 X 07	POC0507	
5/16"	.276" to .354"	07 X 09	POC0709	
7/16"	.354" to .433"	09 X 11	POC0911	
1/2"	.433" to .512"	11 X 13	POC1113	
9/16"	.512" to .591"	13 X 15	POC1315	
5/8"	.591" to .708"	15 X 18	POC1518	
3/4"	.669" to .787"	17 X 20	POC1720	
7/8"	.787" to .905"	20 X 23	POC2023	
1"	.905" to 1.063"	23 X 27	POC2327	
1-3/16"	1.102" to 1.220"	28 X 31	POC2831	
1-5/16"	1.220" to 1.339"	31 X 34	POC3134	
1-1/2"	1.457" to 1.575"	37 X 40	POC3740	
1-5/8"	1.575" to 1.693"	40 X 43	POC4043	
1-3/4"	1.693" to 1.811"	43 X 46	POC4346	

## LOCKING TOOLS

\* Repair Tool Charge



F38 Locking Tool		
Features	Part #	List
- Portable hand tool used to apply 3/8" & 5/8" Fast-Lok Clamps.	F38	

KS001 Tool		KA001 Adapter	
Features	Part #	Part #	List
- Use for K Clamps, with adapter can be used on 3/4" K Clamps. Also, to apply clamp-it continuous strapping and FL J clamp adapter.	KS001		
	KA001		



F40 Locking Tool		
Features	Part #	List
- Use to apply Punch type 3/8" & 5/8" Fast-Lok clamps. Order mallet separately.	F40	



F100 Locking Tool (Rev. F-1)		
Features	Part #	List
- Used to apply Punch Type Fast-Lok clamps. Complete with 3/8" adapter. Order mallet separately. For 5/8" and 3/8" wide clamps.	F100	



F225 Mallet		
Features	Part #	List
	F225	



F550 Clamp Cutter		
Features	Part #	List
- Used to remove clamps with minimum effort.	F550	



# CLAMPS



## TOOLS PARTS

Detail	Qty Per Tool	Part #	List
Punch Head	1	FX201	
Punch	1	F202	
Punch Head Pin	1	F233	
Pusher Nose	1	F206	
Holding Dog	1	F207	
Pusher Nose Pin	1	F208	
Holding Dog Spring	1	F209	
Puller Links	2	FX211A	
Puller Links	2	FX211B	
Puller Link Pin	1	F212	
Pulling Dog	1	FY214	
Pulling Dog Spring	1	FY217	
Pulling Dog Pin	1	F233	
Ball Handle Assy.	1	FA220	
3/8" Clamp Adapter	1	F229HT	
Pusher Puller Assy.	1	FA231	
Retaining Rings	3	F242	
Crescent Ring	1	F232	
Punch Retainer Ring	1	F235	
Repair Kit (includes)		FY205K	
Pulling Dog	1	FY214	
Pulling Dog Spring	1	FY217	
Puller Links	2	FX211A	
Puller Links	2	FX211B	



Sliding Jack Replacement Kit No. FY205K



(Kit Fits the F1, F100, F175, & the C2 Tools)

## STANDARD "F" SERIES PREFORMED CLAMPS (Punch Type Clamps)

Sold in box quantity only



Clamp ID	Clamps Per Pkg.	High-Carbon Galvanized			301 SS		
		Band Width & Thickness	Part #	List/100	Band Width & Thickness	Part #	List/100
13/16"	100	3/8" x .025"	F3		3/8" x .020"	FS3	
1-3/8"	100	3/8" x .025"	F311		3/8" x .020"	FS311	
1"	100	5/8" x .025"	F4		5/8" x .022"	FS4	
1-1/4"	100	5/8" x .025"	F5		5/8" x .022"	FS5	
1-1/2"	100	5/8" x .031"	F6		5/8" x .022"	FS6	
1-3/4"	100	5/8" x .031"	F7		5/8" x .022"	FS7	
2"	100	5/8" x .031"	F8		5/8" x .022"	FS8	
2-1/4"	100	5/8" x .031"	F9		5/8" x .022"	FS9	
2-1/2"	50	5/8" x .031"	F10		5/8" x .022"	FS10	
2-3/4"	50	5/8" x .031"	F11		5/8" x .022"	FS11	
3"	50	5/8" x .031"	F12		5/8" x .022"	FS12	
3-1/2"	50	5/8" x .031"	F14		5/8" x .022"	FS14	
4"	25	5/8" x .031"	F16		5/8" x .022"	FS16	
4-1/2"	25	5/8" x .031"	F18		5/8" x .022"	FS18	
5"	25	5/8" x .031"	F20		5/8" x .022"	FS20	
6"	25	5/8" x .031"	F24		5/8" x .022"	FS24	
7"	25	5/8" x .031"	F28		5/8" x .022"	FS28	
8"	25	5/8" x .031"	F32		5/8" x .022"	FS32	



# CLAMPS

## "K" CLAMPS SERIES PREFORMED CLAMPS

Sold in box quantity only



Clamp Dia.	Clamps Per Pkg.	3/8" & 5/8" (Nominal) High-Carbon Electro - Galvanized Steel			3/8" & 5/8" (Nominal) Type 301 - Stainless Steel			3/4" x .030 Galvanized Steel			3/4" x .030 Type 301 - Stainless Steel		
		Band Width & Thickness	Part #	List/100	Band Width & Thickness	Part #	List/100	Band Width & Thickness	Part #	List/100	Band Width & Thickness	Part #	List/100
13/16"	100	3/8" x .025"	K3		3/8" x .020"	KS3		---	---		---	---	
1-1/2"	100	3/8" x .025"	K311		3/8" x .020"	KS311		---	---		---	---	
1"	100	5/8" x .030"	K4		5/8" x .022"	KS4		---	---		---	---	
1-1/4"	100	5/8" x .030"	K5		5/8" x .022"	KS5		---	---		---	---	
1-1/2"	100	5/8" x .030"	K6		5/8" x .022"	KS6		---	---		---	---	
1-3/4"	100	5/8" x .030"	K7		5/8" x .022"	KS7		---	---		---	---	
2"	100	5/8" x .030"	K8		5/8" x .022"	KS8		3/4" X .030"	K87500		3/4" X .030"	KS87501	
2-1/4"	100	5/8" x .030"	K9		5/8" x .022"	KS9		3/4" X .030"	K97500		3/4" X .030"	KS97501	
2-1/2"	50	5/8" x .030"	K10		5/8" x .022"	KS10		3/4" X .030"	K107500		3/4" X .030"	KS107501	
2-3/4"	50	5/8" x .030"	K11		5/8" x .022"	KS11		3/4" X .030"	K117500		3/4" X .030"	KS117501	
3"	50	5/8" x .030"	K12		5/8" x .022"	KS12		3/4" X .030"	K127500		3/4" X .030"	KS127501	
3-1/2"	50	5/8" x .030"	K14		5/8" x .022"	KS14		3/4" X .030"	K147500		3/4" X .030"	KS147501	
4"	25	5/8" x .030"	K16		5/8" x .022"	KS16		3/4" X .030"	K167500		3/4" X .030"	KS167501	
4-1/2"	25	5/8" x .030"	K18		5/8" x .022"	KS18		3/4" X .030"	K187500		3/4" X .030"	KS187501	
5"	25	5/8" x .030"	K20		5/8" x .022"	KS20		3/4" X .030"	K207500		3/4" X .030"	KS207501	
6"	25	5/8" x .030"	K24		5/8" x .022"	KS24		3/4" X .030"	K247500		3/4" X .030"	KS247501	
7"	25	5/8" x .030"	K28		5/8" x .022"	KS28		3/4" X .030"	K287500		3/4" X .030"	KS287501	
8"	25	5/8" x .030"	K32		5/8" x .022"	KS32		3/4" X .030"	K327500		3/4" X .030"	KS327501	

## CLAMP-IT STRAPPING 100'



Width & Thickness	Ship Wt. (lbs)	301 Stainless Steel		Galvanized Steel	
		Part #	List	Part #	List
3/8" x .025"	3.25	SS3751		SG3750	
1/2" x .030"	5.38	SS5001		SG5000	
5/8" x .030"	6.50	SS6251		SG6250	
3/4" x .030"	8.00	SS7501		SG7500	

## CLAMP BUCKLES

Sold in box quantity only



Width	Ship Wt. (lbs)	301 Stainless Steel		Galvanized Steel	
		Part #	List	Part #	List
3/8"	100/1.0	CS3751		CG3750	
1/2"	100/1.9	CS5001		CG5000	
5/8"	100/2.2	CS6251		CG6250	
3/4"	50/2.1	CS7501		CG7500	

# CLAMPS



# CLAMPS

## OPEN END CLAMPS

▶ Sold in box quantity only

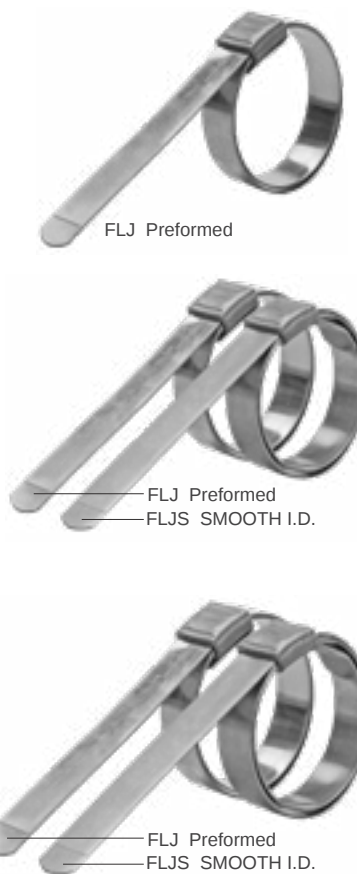


Clamp Dia.	Clamps Per Pkg.	Galvanized Steel			Type 301 Stainless Steel		
		Band Width & Thickness	Part #	List/100	Band Width & Thickness	Part #	List/100
<b>5/8"</b>							
3"	50	5/8" x .031"	FO12		5/8" x .022"	FOS12	
3-1/2"	50	5/8" x .031"	FO14		5/8" x .022"	FOS14	
4"	50	5/8" x .031"	FO16		5/8" x .022"	FOS16	
4-1/2"	50	5/8" x .031"	FO18		5/8" x .022"	FOS18	
5"	25	5/8" x .031"	FO20		5/8" x .022"	FOS20	
6"	25	5/8" x .031"	FO24		5/8" x .022"	FOS24	
7"	25	5/8" x .031"	FO28		5/8" x .022"	FOS28	
8"	25	5/8" x .031"	FO32		5/8" x .022"	FOS32	
9"	25	5/8" x .031"	FO36		5/8" x .022"	FOS36	
10"	25	5/8" x .031"	FO40		5/8" x .022"	FOS40	
12"	25	5/8" x .031"	FO48		5/8" x .022"	FOS48	

Additional Diameters Available - up to 48"

## "J" SERIES CLAMPS (Requires No Hammering)

▶ Sold in box quantity only

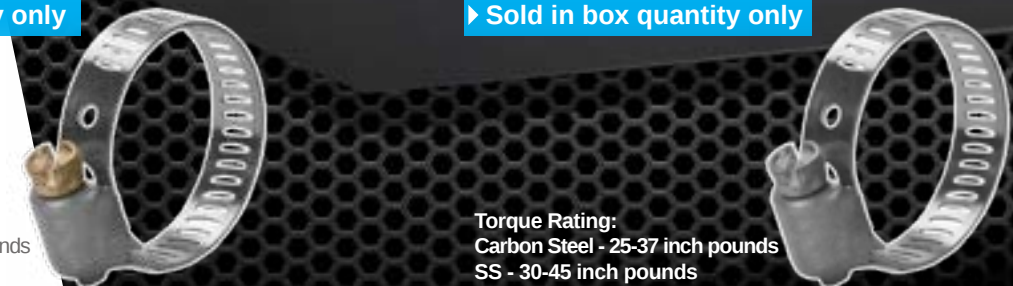


Clamp Dia.	Clamps Per Pkg.	Stainless Steel FLJ Preformed			Stainless Steel FLJS Smooth I.D.		
		Band Width & Thickness	Part #	List/100	Band Width & Thickness	Part #	List/100
<b>3/8"</b>							
13/16"	100	3/8" x .025"	FLJ201				
1"	100	3/8" x .025"	FLJ243				
1-3/8"	100	3/8" x .025"	FLJ202				
2"	100	3/8" x .025"	FLJ245				
3"	100	3/8" x .025"	FLJ246				
<b>5/8"</b>							
1"	100	5/8" x .030"	FLJ203		5/8 x .030"	FLJS203	
1-1/4"	100	5/8" x .030"	FLJ204		5/8 x .030"	FLJS204	
1-1/2"	100	5/8" x .030"	FLJ205		5/8 x .030"	FLJS205	
1-3/4"	100	5/8" x .030"	FLJ206		5/8 x .030"	FLJS206	
2"	100	5/8" x .030"	FLJ207		5/8 x .030"	FLJS207	
2-1/4"	100	5/8" x .030"	FLJ208		5/8 x .030"	FLJS208	
2-1/2"	100	5/8" x .030"	FLJ209		5/8 x .030"	FLJS209	
<b>3/4"</b>							
2"	100	3/4" x .030"	FLJ227		3/4" x .030"	FLJS227	
2-3/4"	50	3/4" x .030"	FLJ210		3/4" x .030"	FLJS210	
3"	50	3/4" x .030"	FLJ211		3/4" x .030"	FLJS211	
3-1/2"	50	3/4" x .030"	FLJ212		3/4" x .030"	FLJS212	
4"	50	3/4" x .030"	FLJ213		3/4" x .030"	FLJS213	
4-1/2"	25	3/4" x .030"	FLJ214		3/4" x .030"	FLJS214	
5"	25	3/4" x .030"	FLJ215		3/4" x .030"	FLJS215	
6"	25	3/4" x .030"	FLJ216		3/4" x .030"	FLJS216	
7"	25	3/4" x .030"	FLJ218		3/4" x .030"	FLJS218	
8"	25	3/4" x .030"	FLJ219		3/4" x .030"	FLJS219	

## POWER SEAL GENERAL PURPOSE INDUSTRIAL CLAMPS

▶ Sold in box quantity only

▶ Sold in box quantity only



Torque Rating:  
Carbon Steel - 25-37 inch pounds  
SS - 30-45 inch pounds

Torque Rating:  
Carbon Steel - 25-37 inch pounds  
SS - 30-45 inch pounds

Band 301 SS - Housing 302 SS - Carbon Steel Screw				
Inch Size	Metric MM Size	Screw Type	Part #	List/100
<b>Miniatures 3-Piece Construction 5/16" Band</b>				
7/32" X 5/8"	5.5 x 16	⊕	03504	
7/16" X 25/32"	11 X 20	⊕	03506	
1/2" X 29/32"	13 X 23	⊕	03508	
9/16" X 1-1/16"	14 X 27	⊕	03510	
<b>Full Size 3-Piece Construction 1/2" Band</b>				
7/16" X 25/32"	11 X 20	⊕	62006	
1/2" X 29/32"	13 X 23	⊕	62008	
9/16" X 1-1/16"	14 X 27	⊕	62010	
11/16" X 1-1/4"	17 X 32	⊕	62012	
13/16" X 1-1/2"	21 X 38	⊕	62016	
13/16" X 1-3/4"	21 X 44	⊕	62020	
1-1/16" X 2"	27 X 51	⊕	62024	
1-5/16" X 2-1/4"	33 X 57	⊕	62028	
1-9/16" X 2-1/2"	40 X 64	⊕	62032	
1-13/16" X 2-3/4"	46 X 70	⊕	62036	
2-1/16" X 3"	52 X 76	⊕	62040	
<b>1/2" Band</b>				
2-5/16" X 3-1/4"	59 X 83	⊕	62044	
2-9/16" X 3-1/2"	65 X 89	⊕	62048	
2-13/16" X 3-3/4"	71 X 95	⊕	62052	
3-1/16" X 4"	78 X 102	⊕	62056	
3-5/16" X 4-1/4"	84 X 108	⊕	62060	
3-9/16" X 4-1/2"	91 X 114	⊕	62064	
1-7/8" X 5"	48 X 127	⊕	62072	
2-1/2" X 5-1/2"	64 X 140	⊕	62080	
3-1/8" X 6"	79 X 152	⊕	62088	
3-5/8" X 6-1/2"	92 X 165	⊕	62096	
4-1/8" X 7"	105 X 178	⊕	62104	

Band, Housing, and Screw Carbon Steel Zinc plated

Band 301 SS - Housing 302 SS - 410 SS Screw				
Inch Size	Metric MM Size	Screw Type	Part #	List/100
<b>Miniatures 3-Piece Construction 5/16" Band</b>				
7/32" X 5/8"	5.5 x 16	⊕	03604	
7/16" X 25/32"	11 X 20	⊕	03606	
1/2" X 29/32"	13 X 23	⊕	03608	
9/16" X 1-1/16"	14 X 27	⊕	03610	
<b>Full Size 3-Piece Construction 1/2" Band</b>				
7/16" X 25/32"	11 X 20	⊕	64006	
1/2" X 29/32"	13 X 23	⊕	64008	
9/16" X 1-1/16"	14 X 27	⊕	64010	
11/16" X 1-1/4"	17 X 32	⊕	64012	
13/16" X 1-1/2"	21 X 38	⊕	64016	
13/16" X 1-3/4"	21 X 44	⊕	64020	
1-1/16" X 2"	27 X 51	⊕	64024	
1-5/16" X 2-1/4"	33 X 57	⊕	64028	
1-9/16" X 2-1/2"	40 X 64	⊕	64032	
1-13/16" X 2-3/4"	46 X 70	⊕	64036	
2-1/16" X 3"	52 X 76	⊕	64040	
<b>1/2" Band</b>				
2-5/16" X 3-1/4"	59 X 83	⊕	64044	
2-9/16" X 3-1/2"	65 X 89	⊕	64048	
2-13/16" X 3-3/4"	71 X 95	⊕	64052	
3-1/16" X 4"	78 X 102	⊕	64056	
3-5/16" X 4-1/4"	84 X 108	⊕	64060	
3-9/16" X 4-1/2"	91 X 114	⊕	64064	
1-7/8" X 5"	48 X 127	⊕	64072	
2-1/2" X 5-1/2"	64 X 140	⊕	64080	
3-1/8" X 6"	79 X 152	⊕	64088	
3-5/8" X 6-1/2"	92 X 165	⊕	64096	
4-1/8" X 7"	105 X 178	⊕	64104	

Band, Housing and Screw 304 SS

## MAKE-A-CLAMP UNIVERSAL CLAMP KIT

Contents	Packed	Wt. Per Ctn.	Screw Type	Part #	List
Retail card, 8 1/2 Ft. band, 3 adj. fasteners, 1 band splice	10 cards/box, 5 boxes (50 cards) per carton	28	⊕	4000	
100 Ft. band, 25 adj. fasteners, 10 band splices	6 kits to std. carton	32	⊕	4001	
50 Ft. band, 10 adj. fasteners, 5 band splices	6 kits to std. carton	18	⊕	4002	
Box of 25 adj. fasteners	10 boxes to std. ctn. (250 fasteners)	16	⊕	4003	
Box of 10 adj. fasteners	20 boxes to std. ctn. (200 fasteners)	13	⊕	4004	
Box with 100 Ft. band, 10 splices	6 boxes to standard carton	22	⊕	4005	
Box with 50 Ft. band, 5 band splices	6 boxes to standard carton	12	⊕	4006	
6" demonstrator disc with clamp	Packed by the unit	4 oz.	⊕	4007	
Box of 10 band splices	10 boxes (100 band splices)	13 oz.	⊕	4008	





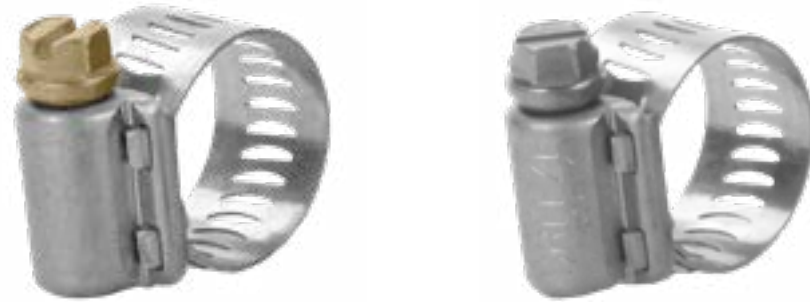
# CLAMPS



# CLAMPS

## AERO-SEAL INDUSTRIAL CLAMPS

▶ Sold in box quantity only



Torque Rating:  
Carbon Steel - 25 - 37 inch pounds  
SS - 30 - 45 inch pounds

Inch Size	Band 301 SS - Housing 302 SS - Carbon Screw			Band 301 SS - Housing 302 SS - 410 SS Screw		
	Screw Type	Part #	List/100	Screw Type	Part #	List/100
Miniatures 4-Piece Construction 5/16" Band						
7/32" X 5/8"	⬤	06504		⊖	06604	
7/16" X 25/32"	⬤	06506		⊖	06606	
1/2" X 29/32"	⬤	06508		⊖	06608	
9/16" X 1-1/16"	⬤	06510		⊖	06610	
Full Size 4-Piece Heavy Duty Construction 9/16" Band						
7/16" X 25/32"	⬤	100 06H		⊖	200 06H	
1/2" X 29/32"	⬤	100 08H		⊖	200 08H	
9/16" X 1-1/16"	⬤	100 10H		⊖	200 10H	
11/16" X 1-1/4"	⬤	100 12H		⊖	200 12H	
13/16" X 1-1/2"	⬤	100 16H		⊖	200 16H	
13/16" X 1-3/4"	⬤	100 20H		⊖	200 20H	
1-1/16" X 2"	⬤	100 24H		⊖	200 24H	
1-5/16" X 2-1/4"	⬤	100 28H		⊖	200 28H	
1-9/16" X 2-1/2"	⬤	100 32H		⊖	200 32H	
1-13/16" X 2-3/4"	⬤	100 36H		⊖	200 36H	
2-1/16" X 3"	⬤	100 40H		⊖	200 40H	
2-5/16" X 3-1/4"	⬤	100 44H		⊖	200 44H	
2-9/16" X 3-1/2"	⬤	100 48H		⊖	200 48H	
2-13/16" X 3-3/4"	⬤	100 52H		⊖	200 52H	
3-1/16" X 4"	⬤	100 56H		⊖	200 56H	
3-5/16" X 4-1/4"	⬤	100 60H		⊖	200 60H	
3-9/16" X 4-1/2"	⬤	100 64H		⊖	200 64H	
1-7/8" X 5"	⬤	100 72H		⊖	200 72H	
2-1/2" X 5-1/2"	⬤	100 80H		⊖	200 80H	
3-1/8" X 6"	⬤	100 88H		⊖	200 88H	
3-5/8" X 6-1/2"	⬤	100 96H		⊖	200 96H	
4-1/8" X 7"	⬤	100 104H		⊖	200 104H	
5-5/8" X 8"-1/2"	⬤	100 128H		⊖	200 128H	
7-1/8" X 10"	⬤	100 152H		⊖	200 152H	
9-3/8" X 12-1/4"	⬤	100 188H		⊖	200 188H	

Band 301SS/Housing 302SS/Screw Carbon Steel    Band 301SS/Housing 302SS/Screw 410SS

## HI TORQUE H.D.

▶ Sold in box quantity only



Torque Rating: 90 inch pounds

Inch Size	All Stainless Steel		
	Screw Type	Part #	List/100
1" x 1-3/4"	⊖	HTM 175	
1-1/4" x 2-1/8"	⊖	HTM 200	
1-3/4" x 2-5/8"	⊖	HTM 250	
2-1/4" x 3-1/8"	⊖	HTM 300	
2-3/4" x 3-5/8"	⊖	HTM 350	
3-1/4" x 4-1/8"	⊖	HTM 400	
3-3/4" x 4-5/8"	⊖	HTM 450	
4-1/4" x 5-1/8"	⊖	HTM 500	
4-3/4" x 5-5/8"	⊖	HTM 550	
5-1/4" x 6-1/8"	⊖	HTM 600	
6-1/4" x 7-1/8"	⊖	HTM 700	
6-3/4" x 7-5/8"	⊖	HTM 750	
7-3/4" x 8-5/8"	⊖	HTM 850	
8-1/4" x 9-1/8"	⊖	HTM 900	
---	---	---	---
---	---	---	---

Stainless Band & Screw

## HI TORQUE W/LINER

▶ Sold in box quantity only



Torque Rating: 90 inch pounds

Inch Size	All Stainless Steel		
	Screw Type	Part #	List/100
1" x 1-3/4"	⊖	HTM 175L	
1-1/4" x 2-1/8"	⊖	HTM 200L	
1-3/4" x 2-5/8"	⊖	HTM 250L	
2-1/4" x 3-1/8"	⊖	HTM 300L	
2-3/4" x 3-5/8"	⊖	HTM 350L	
3-1/4" x 4-1/8"	⊖	HTM 400L	
3-3/4" x 4-5/8"	⊖	HTM 450L	
4-1/4" x 5-1/8"	⊖	HTM 500L	
4-3/4" x 5-5/8"	⊖	HTM 550L	
5-1/4" x 6-1/8"	⊖	HTM 600L	
5-3/4" x 6-5/8"	⊖	HTM 650L	
6-1/4" x 7-1/8"	⊖	HTM 700L	
6-3/4" x 7-5/8"	⊖	HTM 750L	
7-1/4" x 8-1/8"	⊖	HTM 800L	
7-3/4" x 8-5/8"	⊖	HTM 850L	
8-1/4" x 9-1/8"	⊖	HTM 900L	

Stainless Band/Stainless Screw

## SOFT/SILICONE-LINER CLAMP

▶ Sold in box quantity only



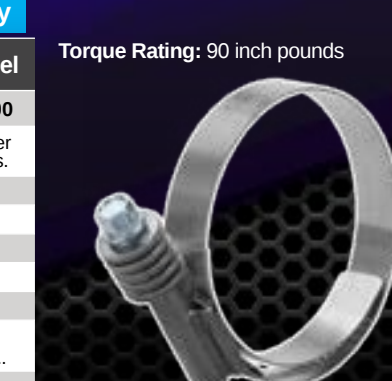
Inch Size	All Stainless Steel	
	Part #	List/100
7/16" X 25/32"	9406	
1/2" X 29/32"	9408	
9/16" X 1-1/16"	9410	
11/16" X 1-1/4"	9412	
13/16" X 1-1/2"	9416	
13/16" X 1-3/4"	9420	
1-1/16" X 2"	9424	
1-5/16" X 2-1/4"	9428	
1-9/16" X 2-1/2"	9432	
1-13/16" X 2-3/4"	9436	
2-1/16" X 3"	9440	
2-5/16" X 3-1/4"	9444	
2-9/16" X 3-1/2"	9448	
2-13/16" X 3-3/4"	9452	
3-1/16" X 4"	9456	
3-5/16" X 4-1/4"	9460	
3-9/16" X 4-1/2"	9464	
4-1/8" X 5"	9472	
4-5/8" X 5-1/2"	9480	
5-1/8" X 6"	9488	
5-5/8" X 6-1/2"	9496	
6-1/8" X 7"	94104	

**Liner Clamps for Soft/Silicone:**  
Protects soft surface hose (silicone & others) from damage caused by extrusion or shearing through the band slots.

Stainless Band/Stainless Screw

## CONSTANT TORQUE

▶ Sold in box quantity only



Torque Rating: 90 inch pounds

Inch Size	All Stainless Steel	
	Part #	List/100
AERO-SEAL: for use on small diameter applications - torque rated 30-70 in./lbs.		
9/16" X 1-1/16"	CT 9410	
11/16" X 1-1/4"	CT 9412	
13/16" X 1-1/2"	CT 9416	
13/16" X 1-3/4"	CT 9420	
1-1/16" X 2"	CT 9424	
Heavy Duty: for use on large diameter applications - torque rated 50-125 in./lbs..		
1" X 1-3/4"	CT 175L	
1-1/4" X 2-1/8"	CT 200L	
1-3/4" X 2-5/8"	CT 250L	
2-1/4" X 3-1/8"	CT 300L	
2-3/4" X 3-5/8"	CT 350L	
3-1/4" X 4-1/8"	CT 400L	
3-3/4" X 4-5/8"	CT 450L	
4-1/4" X 5-1/8"	CT 500L	
4-3/4" X 5-5/8"	CT 550L	
5-1/4" X 6-1/8"	CT 600L	
5-3/4" X 6-5/8"	CT 650L	
6-1/4" X 7-1/8"	CT 700L	
6-3/4" X 7-5/8"	CT 750L	
7-1/4" X 8-1/8"	CT 800L	
7-3/4" X 8-5/8"	CT 850L	
8-1/4" X 9-1/8"	CT 900L	

**Constant-Torque:** Clamps are designed to stop or greatly minimize hose cold-flow leaks.

Stainless Band/Stainless Screw

# CLAMPS



# CLAMPS

## 2 EAR

▶ Sold in bag or carton quantities only



Size	Inches Closed-Open	304 SS		
		Part #	Old #	List/100 per bag
5/32"	.122" to .161"	15100000	(0041R)	
11/64"	.138" to .177"			
3/16"	.134" to .197"	15100002	(0305R)	
1/4"	.197" to .276"	15100003	(0507R)	
5/16"	.276" to .354"	15100004	(0709R)	
3/8"	.319" to .433"	15100023	(0811R)	
-	-	-	-	
1/2"	.433" to .512"	15100006	(1113R)	
9/16"	.492" to .591"	15100007	(1315R)	
19/32"	.551" to .669"	15100008	(1517R)	
5/8"	.591" to .709"	15100009	(1518R)	
3/4"	.638" to .787"	15100010	(1720R)	
13/16"	.709" to .866"	15100011	(1922R)	
7/8"	.748" to .906"	15100012	(2023R)	
15/16"	.827" to .984"	15100013	(2225R)	
1"	.886" to 1.063"	15100014	(2327R)	
1-1/16"	.984" to 1.102"	15100015	(2528R)	
1-1/8"	1.035" to 1.221"	15100016	(2731R)	
-	-	-	-	
1-5/16"	1.220" to 1.339"	15100018	(3134R)	
1-7/16"	1.260" to 1.457"	15100019	(3437R)	
1-1/2"	1.457" to 1.575"	15100020	(3740R)	
1-5/8"	1.575" to 1.693"	15100021	(4043R)	
1-3/4"	1.693" to 1.811"	15100022	(4346R)	

Zinc Plated		
Part #	Old #	List/100 per bag
10100000	(0041)	
10100001	(0045)	
10100002	(0305)	
10100004	(0507)	
10100008	(0709)	
10100011	(0811)	
-	-	
10100016	(1113)	
10100019	(1315)	
10100022	(1517)	
10100024	(1518)	
10100027	(1720)	
10100029	(1922)	
10100030	(2023)	
10100032	(2225)	
10100034	(2327)	
10100035	(2528)	
10100037	(2731)	
-	-	
10100041	(3134)	
10100043	(3437)	
10100045	(3740)	
10100047	(4043)	
10100049	(4346)	

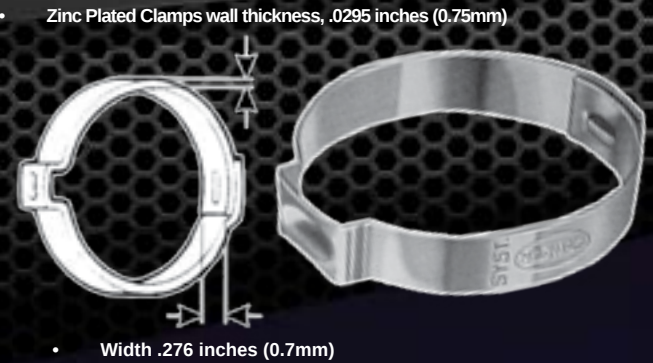
## 1 EAR

Oetiker 1-Ear Clamps are intended for low pressure applications such as automotive, appliances, industrial machinery, underground irrigation systems, etc. They are specifically designed for mass production applications where inexpensive clamps are needed.

Oetiker has the ear with a "dimple". This simple design difference not only adds increased strength to the grip of the clamp, it also creates a spring-like action which permits the clamps to "breathe" without loosening. We also believe that the mechanical look of the Oetiker 1-Ear Clamp is superior to any other joint. Spotwelding techniques are not used and therefore the possibility of failure due to corrosion at the spot weld is eliminated.

**PRESSURE:** As a guideline, Oetiker 1-Ear Clamps (210R) have held 30 bar -441 psi. This was done using a static water pressure test.

**MATERIALS:** Zinc plated clamps are made of 1008/1010 carbon steel, hot dipped and galvanized to designation G90 (ASTM A 525). It will withstand a salt spray test of 96 hours.



Size	Inches Closed-Open	Zinc Plated	
		Part #	List/100 per bag
3/8"	.350" to .413"	10500000 (105)	
7/16"	.382" to .445"	10500001 (113)	
15/32"	.409" to .484"	10500002 (123)	
1/2"	.469" to .524"	10500003 (133)	
35/64"	.472" to .551"	10500006 (140)	
9/16"	.496" to .571"	10500007 (145)	
5/8"	.543" to .618"	10500008 (157)	
11/16"	.595" to .669"	10500009 (170)	
23/32"	.618" to .728"	10500010 (185)	
3/4"	.669" to .780"	10500011 (198)	
13/16"	.717" to .827"	10500012 (210)	
7/8"	.780" to .890"	10500013 (226)	
15/16"	.839" to .949"	10500014 (241)	
1"	.898" to 1.008"	10500015 (256)	
1-1/16"	.945" to 1.067"	10500016 (271)	
1-1/8"	1.004" to 1.126"	10500017 (286)	
1-3/16"	1.063" to 1.185"	10500018 (301)	
1-1/4"	1.122" to 1.244"	10500019 (316)	
1-5/16"	1.181" to 1.303"	10500020 (331)	
1-3/8"	1.240" to 1.362"	10500021 (346)	
1-7/16"	1.299" to 1.421"	10500323 (361)	
1-15/32"	1.358" to 1.480"	10500023 (376)	
1-1/2"	1.378" to 1.500"	10500024 (381)	
1-9/16"	1.437" to 1.559"	10500025 (396)	
1-5/8"	1.492" to 1.614"	10500026 (410)	
1-11/16"	1.551" to 1.673"	10500027 (425)	
1-23/32"	1.610" to 1.732"	10500028 (440)	
1-3/4"	1.669" to 1.791"	10500029 (455)	
1-13/16"	1.728" to 1.850"	10500030 (470)	
1-7/8"	1.787" to 1.909"	10500031 (485)	
1-15/16"	1.847" to 1.969"	10500032 (500)	
2"	1.905" to 2.028"	10500033 (515)	
2-1/16"	1.906" to 2.087"	10500034 (530)	
2-1/8"	2.024" to 2.146"	10500035 (545)	
2-3/16"	2.083" to 2.205"	10500036 (560)	

## OETIKER HOSE CUTTER



Details	Part #	List
Hose Cutter	14100078	
Replacement Blades (2 per pk)	14100079	

## OETIKER PINCERS - FOR 2 EAR CLAMPS



Details	Part #	List
Straight Jaw Pincers	14100396	
Side Jaw Pincers	14100387	



# TECHNICAL DATA

## CORROSION RESISTANCE OF COUPLING MATERIALS

**CAUTION:** The following data has been compiled from generally available sources and should not be relied upon without consulting and following the specific recommendations of the manufacturer regarding particular coupling materials.

**RATINGS:** 1. Excellent  
2. Good  
3. Fair Conditional  
x. Not Satisfactory

**NOTES:** No rating indicates no data available

AGENT	Mall. From Steel	Brass	Bronze	Aluminum	Glass	Stainless 410, 416, 430	Stainless 302, 202, 304, 308	Stainless 316	Monel
Acetate, Solvents, Crude		3				2	1	1	2
Acetate, Solvents, Pure		1	1	1		1	1	1	1
Acetic Acid	X	X	X	2	1	X	2	2	2
Acetic Acid Vapor	X	X		3		X	2	2	3
Acetic Anhydride	X	X		2		X	2	2	2
Acetone	1	1	1	1	1	1	1	1	1
Acetylene	1	2		1		1	1	1	2
Alcohols	1	2		1		1	1	1	1
Aluminum Sulfate	X	3	3	3	1	X	3	2	2
Alums	X	3	2	3	1	X	3	2	2
Ammonia Gas	1	X	3	1	3	1	1	1	X
Ammonium Chloride	1	3		1*		3	3	1	1
Ammonium Hydroxide	2	X		2		1	1	1	3
Ammonium Nitrate	1	X		2		1	1	1	3
Ammonium Phosphate (Ammoniacal)		X				1	1	1	2
Ammonium Phosphate (Neutral)		3				1	1	1	2
Ammonium Phosphate (Acid)		3				3	2	1	2
Ammonium Sulfate	1	3				2	1	1	2
Asphalt	1	2				2	1	1	1
Beer	2	2	1	1		X	1	1	1
Beet Sugar Liquors	1	2		1		2	1	1	1
Benzene, Benzol	1	1	1	1	1	1	1	1	1
Benzine (petroleum-naphtha)	1	1		1		1	1	1	1
Borax	2	2				1	1	1	1
Boric Acid	X	3		1		3	2	1	1
Butane, Butylene	1	1	1	1		1	1	1	1
Butadiene		1				1	1	1	1
Calcium Bisulfate		X				X	2	1	X
Calcium Hypochlorite	3	3	3	X	3	X	3	2	3
Cane Sugar Liquors	1	2		1		2	1	1	1
Carbon Dioxide (Dry)	1	1		1		1	1	1	1
Carbon Dioxide (Wet & Aqueous Sol)	2	3		2		2	1	1	2
Carbon Disulfide	2	3		2		2	1	1	3
Carbon Tetrachloride	3	1	2	3	1	1	1	1	1
Chlorine (Dry)	2	2	2	1	2	2	2	2	1
Chlorine (Wet)	X	X	3	X	2	X	X	3	3
Chromic Acid		X	X	X	1	3	2	2	3
Citric Acid	X	3		1		3	X	1	2
Coke Oven Gas	1	3		2		1	1	1	2
Copper Sulfate	X	X		X		1	1	1	3
Core Oils		1	1			1	1	1	1
Cottonseed Oil	1	1	1	1		1	1	1	1
Creosote	2	3		1		1	1	1	1
Ethers	2	1		1		1	1	1	1
Ethylene Glycol	2	2				1	1	1	1
Ferric Chloride	X	X	X	X	1	X	X	X	X
Ferric Sulfate	X	X		X		1	1	1	3
Formaldehyde	2	2		2		1	1	1	1

\*3 to X at high temperatures.

Chemical Chart is reprinted from 1996 RMA Hose Handbook

# TECHNICAL DATA

## CORROSION RESISTANCE OF COUPLING MATERIALS

**CAUTION:** The following data has been compiled from generally available sources and should not be relied upon without consulting and following the specific recommendations of the manufacturer regarding particular coupling materials.

**RATINGS:** 1. Excellent  
2. Good  
3. Fair Conditional  
x. Not Satisfactory

**NOTES:** No rating indicates no data available

AGENT	Mall. From Steel	Brass	Bronze	Aluminum	Glass	Stainless 410, 416, 430	Stainless 302, 202, 304, 308	Stainless 316	Monel
Formic Acid	X	2		X		X	2	1	2
Freon	3	1	1	1		1	1	1	1
Furfural	1	2		1		1	1	1	1
Gasoline (Sour)	3	3		3		3	1	1	X
Gasoline (Refined)	1	1	1	1		1	1	1	1
Gelatin	1	3		1		1	1	1	1
Glucose	1	1		1		1	1	1	1
Glue	1	3		1		1	1	1	1
Glycerine or Glycerol	1	2		1		1	1	1	1
Hydrochloric Acid	X	X	X	X	1	X	X	X	X
Hydrocyanic Acid	3	X		1		3	1	1	2
Hydrofluoric Acid	X	3	3	X	X	X	X	X	X
Hydrogen Fluoride		3				X	X	3	1
Hydrogen	1	1		1		1	1	1	1
Hydrogen Peroxide	X	X		1		1	2	1	2
Hydrogen Sulfide (Dry)	3	3		2		3	2	1	3
Hydrogen Sulfide (Wet)	3	3		2		3	2	1	3
Lacquers and Lacquer Solvents	3	2		1		1	1	1	1
Lactic Acid	X			3			3	2	1
Lime-Sulfur	2	X		2		1	1	2	1
Linseed Oil	1	1		1			1	1	1
Magnesium Chloride	3	3		X		3	2	1	1
Magnesium Hydroxide	1	2		X		1	1	1	1
Magnesium Sulfate	2	2		3		1	1	1	1
Mercuric Chloride	3	X		X		X	X	3	X
Mercury	1	X		X		1	1	1	2
Milk	3	3		1		2	1	1	3
Molasses	2	X		2		2	1	1	1
Natural Gas	1	2		1		1	1	1	1
Nickel Chloride		X		X		X	3	2	2
Nickel Sulfate		3		X		3	2	1	1
Nitric Acid	X	X	X	3	1	2	2	2	X
Oleic Acid	2	3		1		2	2	1	1
Oxalic Acid	3	3		2		3	2	1	1
Oxygen	1	1	1	1		1	1	1	1
Palmitic Acid	1	3		1		2	2	1	1
Petroleum Oils (Sour)		3				3	1	1	X
Petroleum Oils (Refined)	1	1	1	1		1	1	1	1
Phosphoric Acid 25%	3	X		3	3	X	3	1	2
Phosphoric Acid 25-50%	X	X		X	3	X	X	2	2
Phosphoric Acid 50-85%	X	X		X	X	X	X	2	2
Picric Acid	3	X		3		2	1	1	X
Potassium Chloride	2	3		3		3	2	1	1
Potassium Hydroxide	3	X		X		1	1	1	1
Potassium Sulfate	2	2		1		1	1	1	1
Propane	1	1				1	1	1	1
Rosin (Dark)	1	2			1	1	1	1	1
Rosin (Light)		X		1		1	1	1	2

\*3 to X at high temperatures.

Chemical Chart is reprinted from 1996 RMA Hose Handbook

## CORROSION RESISTANCE OF COUPLING MATERIALS

**CAUTION:** The following data has been compiled from generally available sources and should not be relied upon without consulting and following the specific recommendations of the manufacturer regarding particular coupling materials.

**RATINGS:** 1. Excellent  
2. Good  
3. Fair Conditional  
x. Not Satisfactory

**NOTES:** No rating indicates no data available

AGENT	Mall. From Steel	Brass	Bronze	Aluminum	Glass	Stainless 410, 416, 430	Stainless 302, 202, 304, 308	Stainless 316	Monel
Shellac		2		2		1	1	1	1
Sludge Acid		X				X	X	3	2
Soda Ash (Sodium Carbonate)	1	2		X		1	1	1	1
Sodium Bicarbonate	3	1		X		1	1	1	1
Sodium Bisulfate	X	3		3		X	1	1	1
Sodium Chloride	2	3	2	X	1	3	2	1	1
Sodium Cyanide	2	X		X		1	1	1	2
Sodium Hydroxide	3	X	3	X	X	2	2	2	1
Sodium Hypochlorite	X	X		X		X	3	2	3
Sodium Metaphosphate	X	3		1		2	1	1	1
Sodium Nitrate	1	3		1		1	1	1	1
Sodium Perborate	3	3		1		1	1	1	1
Sodium Peroxide	3	3		1		1	1	1	1
Sodium Phosphate (Alkaline)		3				1	1	1	1
Sodium Phosphate (Neutral)		2				1	1	1	1
Sodium Phosphate (Acid)		2				X	2	1	1
Sodium Silicate	1	3		X		1	1	1	1
Sodium Sulfate	1	2		3		1	1	1	1
Sodium Sulfide	1	X				1	1	1	2
Sodium Thiosulfate (Hypo)	3	X		X		1	1	1	2
Stearic Acid	3	3		3		2	2	1	1
Sulfate Liquors		X				1	1	1	2
Sulfur	2	X		2		2	2	1	3
Sulfur Chloride	X	X				X	3	2	2
Sulfur Dioxide (Dry)	2	1		1		1	1	1	1
Sulfur Dioxide (Wet)		X				X	2	1	X
Sulfuric Acid 10%	X	X	3	3		X	X	2	2
Sulfuric Acid 10-75%	X	X	X	X		X	X	X	2
Sulfuric Acid 75-95%	3	X	X	X		3	3	2	3
Sulfuric Acid 95%	2	X	X			2	2	2	X
Sulfurous Acid	X	X		X		X	3	2	X
Tannic Acid	3	3	1	X			1	1	1
Tar	1	2		1		2	1	1	1
Toluene, Toluol	1	1		1		1	1	1	1
Trichlorethylene	3	1		3		1	1	1	1
Turpentine		3		1		3	1	1	1
Varnish	2	2				1	1	1	1
Vegetable Oils	1	2		1		1	1	1	1
Vinegar	3	3		3		3	2	1	2
Water (Acid Mine Water)	3	X		3		2	1	1	3
Water (Fresh)	3	1		1		1	1	1	1
Water (Salt)	3	3	2	X		3	2	2	1
Whiskey	X	2				3	1	1	2
Wines	X	2				3	1	1	2
Xylene, Xylol	2	1		1		1	1	1	1
Zinc Chloride	X	X		X		3	2	1	1
Zinc Sulfate	3	3		3		3	2	1	1

\*3 to X at high temperatures.

Chemical Chart is reprinted from 1996 RMA Hose Handbook

## OIL & GASOLINE RESISTANCE

Rubber hose is used to convey petroleum products both in the crude and refined stages. The aromatic content of refined gasoline is often adjusted to control the octane rating. The presence of aromatic hydrocarbons in this fuel generally has a greater effect on rubber components than do aliphatic hydrocarbons. Aromatic materials in contact with rubber tend to soften it and reduce its physical properties. For long lasting service, the buyer of gasoline hose should inform the hose manufacturer of the aromatic content of the fuel to be handled so that the proper tube compound can be recommended for the specific application.

The effects of oil on rubber depend on a number of factors that include the type of rubber compound, the composition of the oil, the temperature and time of exposure. Rubber compounds can be classified as to their degree of oil resistance based on their physical properties after exposure to a standard test fluid. In this RMA classification, the rubber samples are immersed in IRM 903 oil at 100°C for 70 hours. (See ASTM Method D-471 for a detailed description of the oil and the testing procedure.) As a guide to the user of hose in contact with oil, the oil resistance classes and a corresponding description are listed.

### PHYSICAL PROPERTIES AFTER EXPOSURE TO OIL:

CLASS	DESCRIPTION	VOLUME CHANGE MAXIMUM	TENSILE STRENGTH RETAINED
CLASS A	(HIGH OIL RESISTANCE)	+25%	80%
CLASS B	(MEDIUM/HIGH OIL RESISTANCE)	+65%	50%
CLASS C	(MEDIUM OIL RESISTANCE)	+100%	40%

## CHEMICAL RECOMMENDATIONS

The materials being handled by flexible rubber hose are constantly increasing in number and diversity. To assist in the selection of the proper elastomer for the service conditions encountered, the following table has been prepared. The reader is cautioned that it is only a guide and should be used as such, as the degree of resistance of an elastomer with a particular fluid depends upon such variables as temperature, concentration, pressure, velocity of flow, duration of exposure, aeration, stability of the fluid, etc. Also variations in elastomer types and special compounding of stocks to meet specific service conditions have considerable influence on the results obtained. When in doubt, it is always advisable to test the tube compound under actual service conditions. If this is not practical, tests should be devised that simulate service conditions or the hose manufacturer contacted for Recommendations.

The following table lists the more commonly used materials, chemicals, solvents, oils, etc. The recommendation are based on room temperature and pressure conditions normally recommended for the particular type of hose being used. Where conditions beyond this can be met readily, they have been so indicated; where conditions are not normal and cannot be readily met, the hose manufacturer should always be consulted. The table does not imply conformance to the Food & Drug Administration requirements of Federal or State Laws when handling food products.

### TABLE OF CHEMICAL, OIL & SOLVENT RESISTANCE OF HOSE:

**WARNING:** The following data has been compiled from generally available sources and should not be relied upon without consulting and following the hose manufacturer's specific chemical recommendations. Neglecting to do so might result in failure of the hose to fulfill its intended purpose, and may result in possible damage to property and serious bodily injury.

#### RESISTANCE RATING

- A** - Good Resistance, usually suitable for service.
- F** - Fair Resistance, the chemical has some deteriorative effects, but the elastomer is still adequate for moderate service.
- C** - Depends on Condition, moderate service may be possible if chemical exposure is limited or infrequent.
- X** - Not recommended, unsuitable for service.
- I** - Insufficient Information, not enough data available at the time of publication to determine rating.

#### RELASTOMERS/PLASTICS

- NR** - Natural Rubber
- IR** - Isoprene, synthetic
- SBR** - Styrene-butadiene
- CR** - Chloroprene
- NBR** - Nitrile-butadiene
- IIR** - Isobutene-isoprene
- CSM** - Chloro-sulfonyl-polyethylene
- EPDM** - Ethylene-propylene-diene-terpolymer
- MQ** - Dimethyl-polysiloxane
- FKM** - Fluorocarbon rubber
- CM** - Chloro-polyethylene
- ECO/CO** - Epichlorohydrin
- EXLPE** - Chloro-sulfonyl-polyethylene



